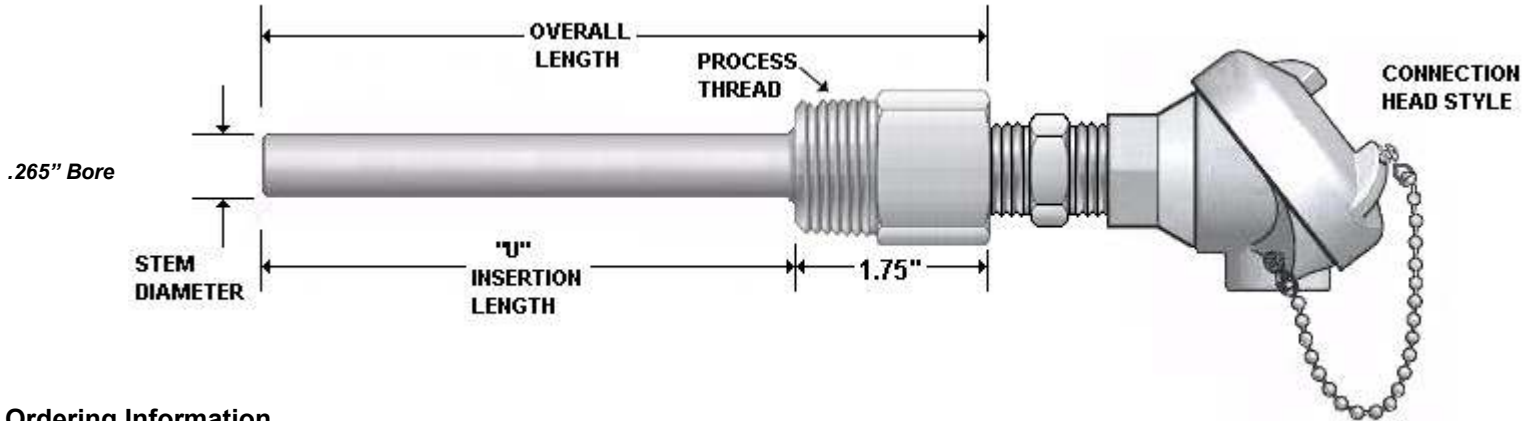


East Coast Sensors

Mineral insulated thermocouple
w/connection head & Thermowell
Style TN3



Ordering Information Part Number

① TN3	② Calibration	③ Sheath Diam.	④ Sheath Material	⑤ Insertion Length (whole In.)	⑥ Insertion Length (fractional In.)	⑦ Junction	⑧ Process Thread x Stem Diameter	⑨ Thermowell Material	⑩ Connection head style
TN3									

Optional

⑪ Special Features	⑫ Transmitter temp range	⑬ Scale of Temperature

② Calibration
J Type J (standard)
K Type K
T Type T
E Type E
W Type J (special limits)
X Type K (special limits)
Y Type T (special limits)
Z Type E (special limits)

③ Sheath Diameter
H .125" (3.2mm) (1/8")
L .188" (4.6mm) (3/16")
N .250" (6.4mm) (1/4")

④ Sheath Material
F 304 SS (standard)
H 316 SS
M INCONEL (600)

⑤ Insertion Length "U" (whole In.)
001"-060" Specify in Inches

⑥ Insertion Length "U" (fractional in.)
A 0
B 1/8"
C 1/4"
D 3/8"
E 1/2"
F 5/8"
G 3/4"
H 7/8"

⑦ Junction
G Grounded (Single)
U Ungrounded (Single)
E Exposed (Single)
R Exposed & Recessed (Single)
W Grounded (Dual)
X Ungrounded & Isolated (Dual)
Y Ungrounded Common (Dual)
Z Exposed & Isolated (Dual)
Note <i>Ungrounded & Isolated only available in .156"OD & larger</i>

⑧ Thermowell Process Thread x Stem Diameter
X 1/2"NPT x .625" OD
Y 3/4"NPT x .75"OD
Z 1"NPT x .875"OD
W 3/4"NPT x .500"OD
T 3/8"NPT X .500"OD
Note <i>For other fittings not shown contact factory</i>

⑨ Thermowell Material
M 304SS
P 316 SS
Q 310 SS
R 316 L SS
S 410 SS
T 446 SS
K Inconel 600 (Alloy 600)
W Hastelloy B
X Hastelloy C
Y Carbon Steel
Z Alloy 800 (Incoloy)

⑩ Connection Head Style
A Cast Aluminum (standard) NEMA 6 IP67 rated
B Small cast Aluminum
C Flip top head cast aluminum
D Cast steel
E Stainless Steel
F Cast Iron
G Polypropylene
H Explosion proof cast aluminum
Q Explosion proof 316 Stainless steel
R Explosion proof cast aluminum DUAL conduit
S Mini aluminum screw down cover
W Cast Aluminum NEMA 4X IP68 rated

Optional

⑪ Special features (Optional)
Note <i>Leave blank for no special features</i>
17 4/20 Milliamp transmitter (hockey puck style) (See step 11&12)

For transmitter only

⑫ Transmitter temperature range (Optional)
0-0000 Specify temperature range (example: 0-1200°F)

⑬ Transmitter Scale of temperature (Optional)
F (°F) Fahrenheit
C (°C) Celsius

Option "17"
4/20 Milliamp transmitter
(hockey puck style)

