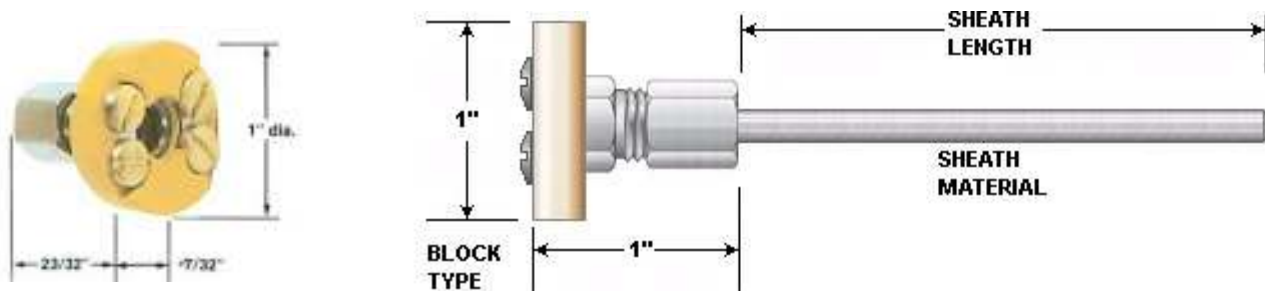


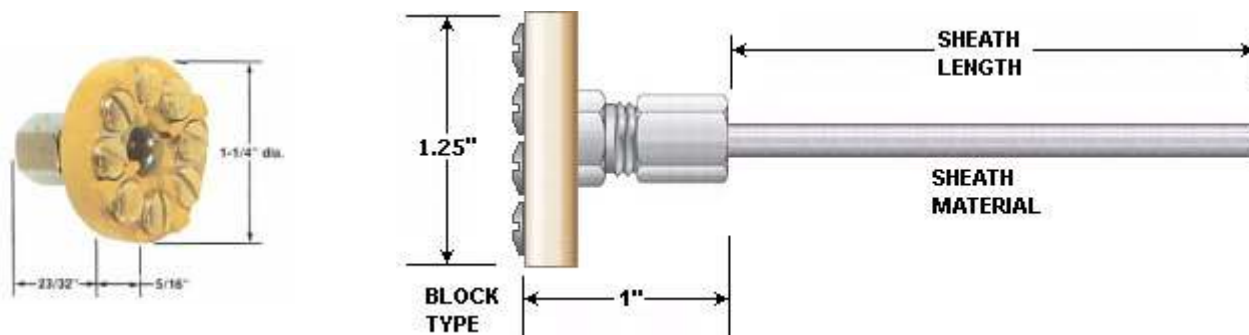
East Coast Sensors

Mineral insulated thermocouple
With wafer style compensated terminal block 800°F
Style TM3

Single Junction



Dual Junction



Ordering Information
Part Number

① TM3	② Calibration	③ Sheath Diameter	④ Sheath Material	⑤ Sheath Length (whole In.)	⑥ Sheath Length (fractional In.)	⑦ Junction	⑧ Mini terminal block type
TM3							

②	Calibration
J	Type J
K	Type K
T	Type T
E	Type E
W	Type J (special limits)
X	Type K (special limits)
Y	Type T (special limits)
Z	Type E (special limits)

④	Sheath Material
F	304 SS
H	316 SS
M	INCONEL (600)
N	446 SS
P	310 SS
Q	Hastelloy

⑦	Junction
G	Grounded (Single)
U	Ungrounded (Single)
E	Exposed (Single)
W	Grounded (Dual)
X	Ungrounded & Isolated (Dual)
Y	Ungrounded Common (Dual)
Z	Exposed & Isolated (Dual)
Note	<i>Ungrounded & Isolated (option "X") only available in .188"OD & larger</i>

③	Sheath Diameter
D	.062" (1.57mm) (1/16")
H	.125" (3.2mm) (1/8")
L	.188" (4.6mm) (3/16")
N	.250" (6.4mm) (1/4")

⑤	Sheath Length (whole In.)
001"-144"	Specify in Inches
Note	<i>Over 144" contact factory</i>

⑥	Sheath Length (fractional in.)
A	0
B	1/8"
C	1/4"
D	3/8"
E	1/2"
F	5/8"
G	3/4"
H	7/8"

⑧	Block type (MARLIN BLOCKS)
MH1	2010 (Single junction) thermo-set 400°F
MH2	2110 (Single junction) high temp thermo-set 800°F
MH3	2011 (Single junction) thermo-set with bracket 400°F
MH4	2111 (Single junction) high temp thermo-set with bracket 800°F
MH5	2210 (Dual junction) thermo-set 400°F
MH6	2310 (Dual junction) high temp thermo-set 800°F
MH7	2211 (Dual junction) thermo-set with bracket 400°F
MH8	2311 (Dual junction) high temp thermo-set with bracket 800°F

