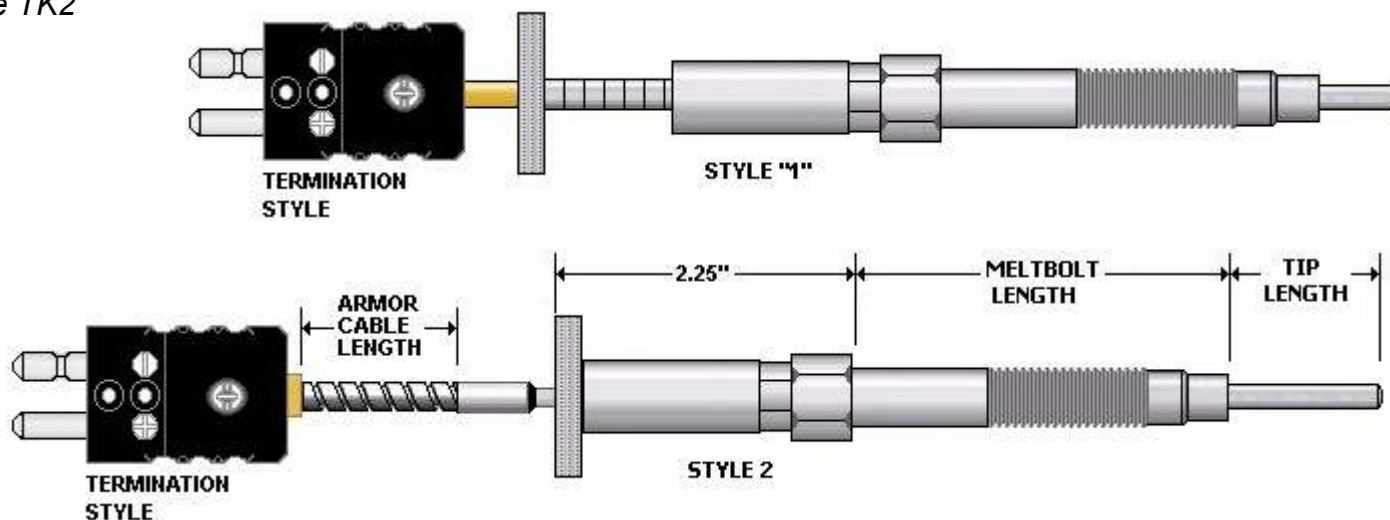


East Coast Sensors

Adjustable melt bolt type thermocouple (mineral insulated probe) Style TK2



Ordering Information Part Number

① TK2	② Melt bolt style	③ Melt bolt Length (In.)	④ Calibration	⑤ Tip Diameter (In.)	⑥ Tip Length (In.)	⑦ Tip Material	⑧ Junction	⑨ Armor cable length (In.)	⑩ Termination style	⑪ Special features
TK2										

② Melt bolt style	
C	Style 1
D	Style 2

③ Melt bolt length (inches)	
03	3"
04	4"
06	6"
07	7"
09	9"
12	12"
14	14"

④ Calibration	
J	Type J (standard)
K	Type K
T	Type T
E	Type E
W	Type J (special limits)
X	Type K (special limits)
Y	Type T (special limits)
Z	Type E (special limits)

⑤ Tip Diameter	
H	.125"OD
L	.188"OD
Z	.125" with .188"OD support tube

⑥ Tip Length (in.)	
A	Adjusts from flush to 1"
D	Adjusts from flush to 2.5"
C	Adjusts from flush to 3"

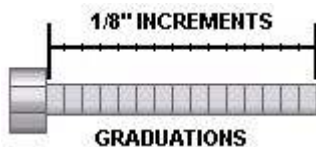
⑦ Tip Material (Sheath only)	
F	304 SS (standard)
H	316 SS
M	Inconel (600)
N	446 SS
P	310 SS
Q	Hastelloy
R	Pyrosil D

⑧ Junction	
G	Grounded (Single) (standard)
U	Ungrounded (Single)
E	Exposed (Single)
W	Grounded (Dual)
X	Ungrounded & Isolated (Dual)
Y	Ungrounded Common (Dual)
Z	Exposed & Isolated (Dual)

⑨ Armor cable length (Inches)	
X	No flex armor (Style 1)
F	4" (Standard) Melt bolt style 1 only
002-600	specify in Inches (melt bolt style 2 only)
Note	Over 600" contact factory

⑩ Termination style	
A	2" stripped leads (bare ends)
C	Standard male plug (400°F)
D	High temp male Plug (660°F)
E	Max temp male Plug (800°F)
G	Solid pin plug (400°F)
H	Standard female jack (400°F)
N	Standard 3 pin plug w/ ground wire (400°F)
P	Dual molded male plug (400°F)

⑪ Special features (Optional)	
Note	Leave blank for no special features
07	Cable clamp
08	BX Connector
09	Mating connector
18	Moisture protection boot on connector
23	304SS tag with part # engraved
26	Connector mounted with tube adapter



ECS standard melt bolt thermocouples are mineral insulated for better tip sensitivity and durability

