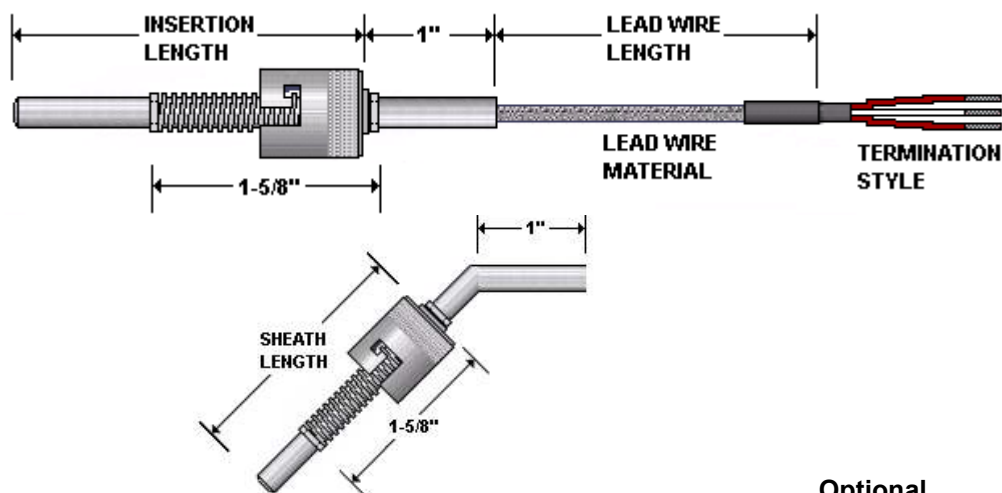
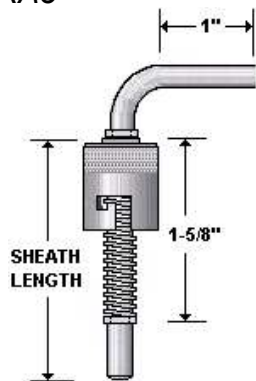


East Coast Sensors

Fixed depth bayonet RTD Series RA3



Ordering Information Part Number

① RA3	② Element Type	③ Element Accuracy	④ Wire Configuration	⑤ Sheath Diameter	⑥ Sheath Config./ Cap size	⑦ Insertion Length (inches)	⑧ Insertion Length (Fractional)	⑨ Lead Wire Material	⑩ Lead wire Length (inches)	⑪ Termination Style	⑫ Special Features
RA3											

Optional

② Element type	③ Element Accuracy (0 °C)
T 100 Ω DIN 00385 (thin film)	A Class A (0.06%)
U 500 Ω DIN 00385 (thin film)	B Class B (0.12%)
W 1000 Ω DIN 00385 (thin film)	
X 120 Ω Nickel DIN 00672 (thin film)	
Y 100 Ω DIN 003916 (wire wound)	
Z 500 Ω DIN 003916 (wire wound)	
Q 10 Ω copper (thin film)	

⑥ Sheath Configuration/ Cap Size	⑦ Insertion Length (whole in.)
P Straight w/ 7/16" Single slot cap	002"-020" Specify in Inches
Q 45 Degree w/ 7/16" Single slot cap	
R 90 Degree w/ 7/16" Single slot cap	

⑩ Lead wire length	⑪ Termination style
006"-600" Specify in Inches	A 2" stripped leads (bare ends) (standard)
Note Over 600" contact factory	B 2" stripped leads w/ #8 spade lugs

③ Element Accuracy (0 °C)
A Class A (0.06%)
B Class B (0.12%)

⑦ Insertion Length (whole in.)
002"-020" Specify in Inches

⑪ Termination style
C Standard male 2 pin plug (400°F)
D Standard male 3 pin plug (400°F)
F Standard 2 pin female jack (400°F)
G Standard 3 pin female jack (400°F)
H Miniature male 2 pin plug (400°F)
P Miniature male 3 pin plug (400°F)
J Miniature female 2 pin jack (400°F)
K Miniature female 3 pin jack (400°F)
R Dual molded male 4 pin plug (for dual 2 wire)
T Dual molded female 4 hole jack (for dual 2 wire)
W 2" stripped leads w/ pin terminals
Q 2" stripped leads w/ wire ferrules
X Extra long lead wire length (beyond 2" stripped leads) (specify extra long lead wire length below)
006"-240" 006"-240" Specify in Inches

④ Wire Configuration
2 2-wire
3 3-wire
4 4-wire
5 2-wire (Dual)
6 3-wire (Dual)

⑧ Insertion Length (fractional in.)
A 0
B 1/8"
C 1/4"
D 3/8"
E 1/2"
F 5/8"
G 3/4"
H 7/8"

⑤ Sheath Diameter (RTD)
H .125" (3.2mm) (1/8")
L .188" (4.6mm) (3/16")
Note For reference only (standard tolerances apply)
Note For other diameters consult factory

⑨ Lead wire material
A Fiberglass (800°F)
B Fluoropolymer (400°F)
C Fiberglass with stainless steel braid (800°F)
D Fluoropolymer with stainless steel braid (400°F)
E Fiberglass with armor cable (800°F)
F Fluoropolymer with armor cable (400°F)
G Fiberglass with stainless steel braid (800°F) w/ armor cable
H Fluoropolymer with stainless steel braid (400°F) w/ armor cable

⑫ Special features (Optional)
Note Leave blank for no special features
02 1.5" long strain relief spring
03 1.5" long heat shrink where wire exits the probe
04 Flat tip probe
05 Drill point tip
06 Epoxy seal (500°F)
07 Cable clamp
08 Bx Connector
09 Mating connector
18 Moisture protection boot on connector
21 Fluoropolymer coated armor cable
44 Bayonet cap spins along spring (TA3 & RA3 only)

